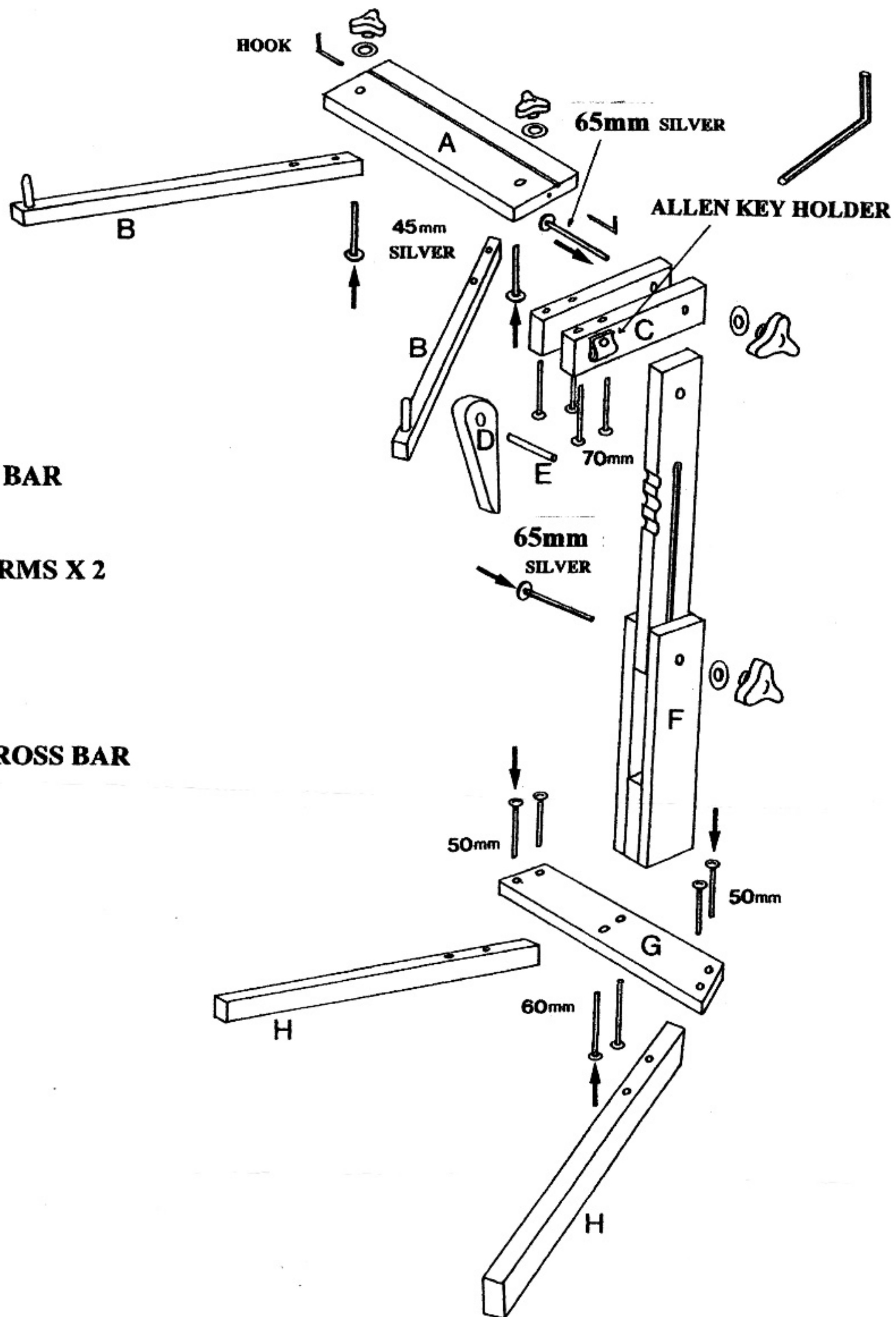


ASSEMBLY INSTRUCTIONS

(Not to scale)



KEY

- A) TOP CROSS BAR
- B) ARMS X 2
- C) SUPPORT ARMS X 2
- D) TOGGLE
- E) DOWEL
- F) PEDESTAL
- G) BOTTOM CROSS BAR
- H) LEGS X 2

U.K. Patent No: 2292681

"Necessaire"TM Floor Stand